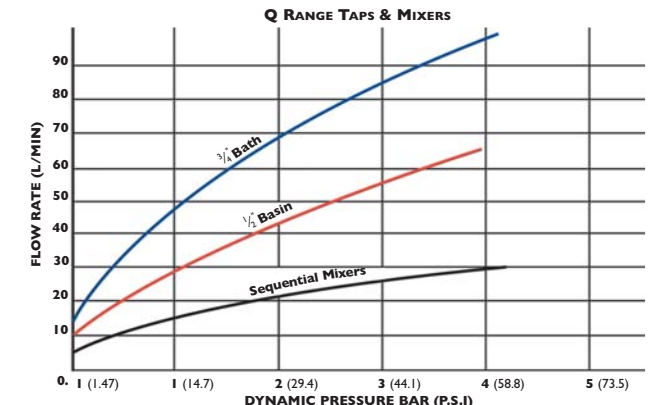
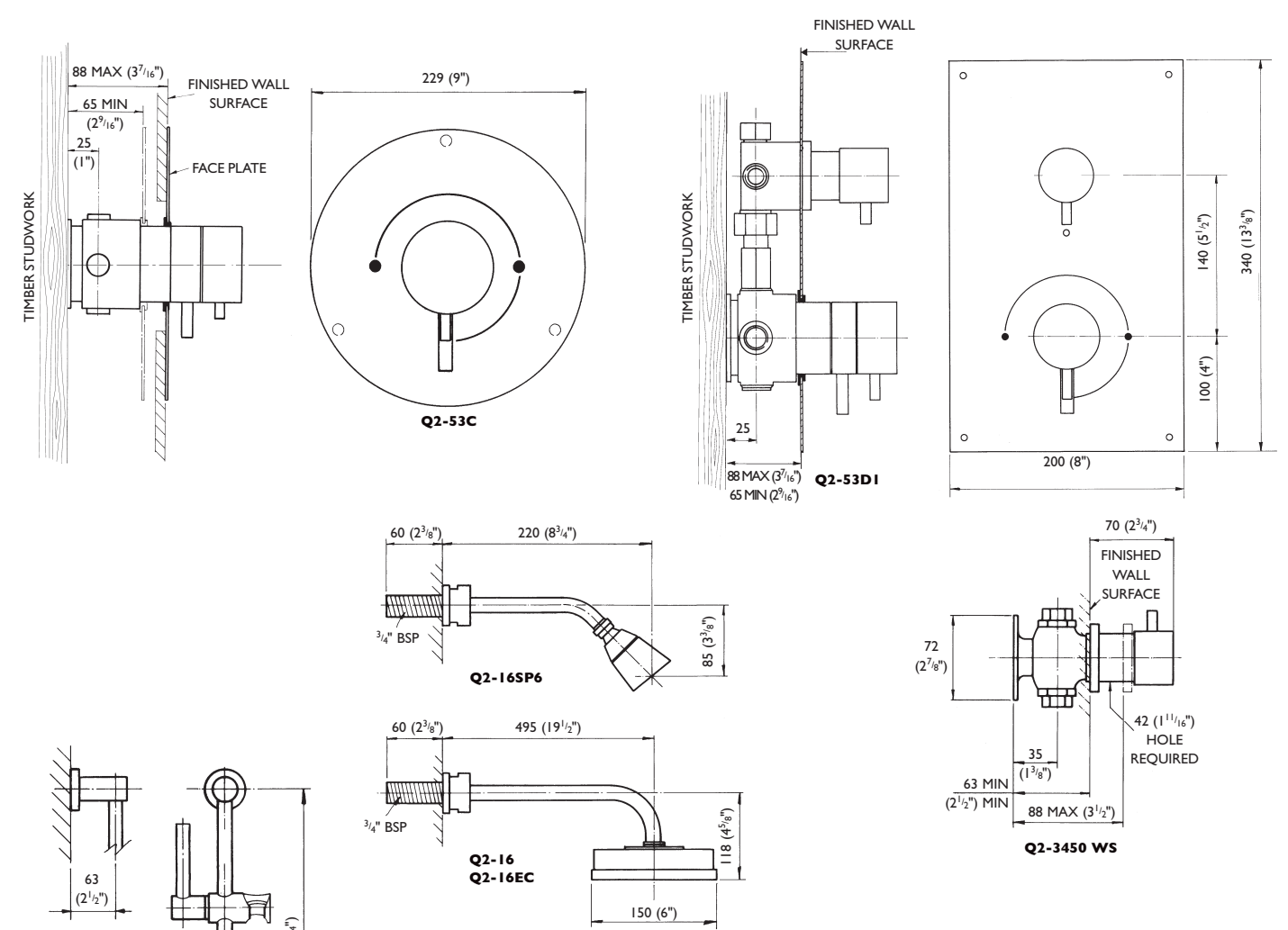
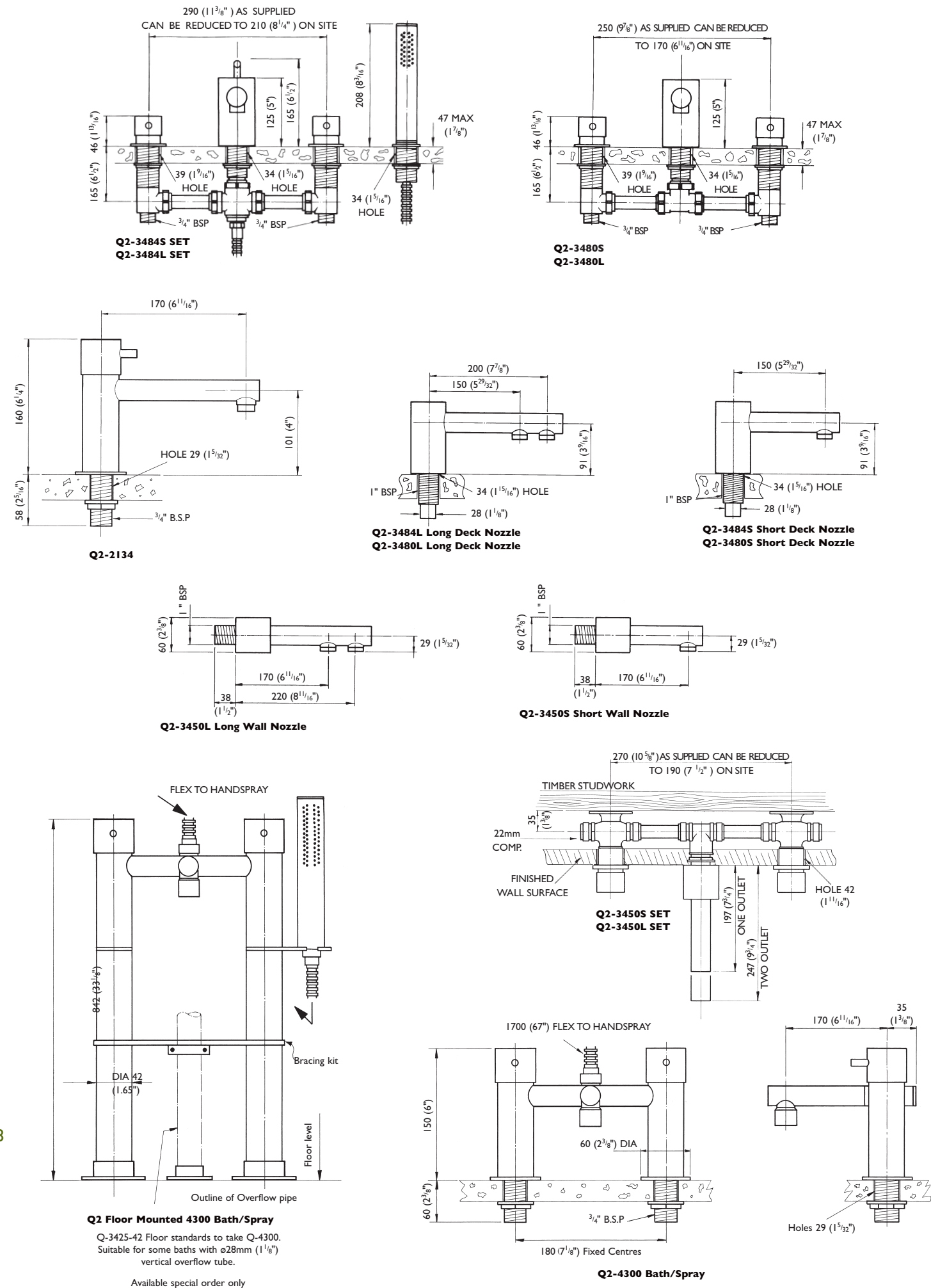
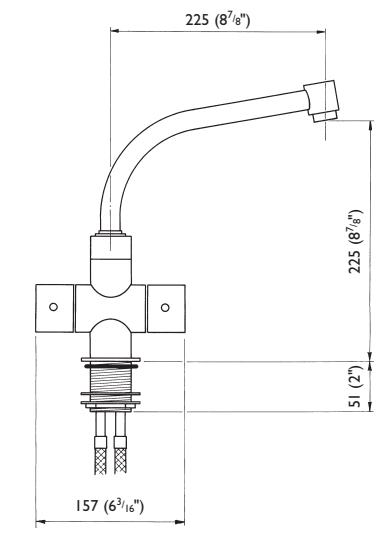


Bath Fittings

Shower Fittings



Kitchen Fitting



Quality
 All Barber Wilson bathroom products are produced to the highest quality standards and electroplated to British Standards: Chrome to BS1224. In addition, most fittings are tested by the WRc Evaluation & Testing Centre to ensure full compliance with current water bylaws. All products incorporating hand-held showers are fitted with backflow prevention devices to comply with these laws.

Cleaning
 To keep Barber Wilsons fittings looking and performing at their best, we recommend that all electroplated finishes are rinse-cleaned after use and dried using a soft cloth. Cream and chemical cleaners should not be used as they may promote limescale formation. If you experience limescale problems, please refer to your supplier for assistance.

Guarantee
 We will make good, free of charge, by repair or at our option by replacement, any goods with defects becoming evident within a period of 12 months of purchase and arising from defects which are attributable to us as manufacturers. We cannot be held responsible for any costs incurred in correcting installation related faults, nor problems with electroplated and polished finishes when our cleaning instructions are not adhered to.

Barber Wilsons & Co Limited is constantly seeking ways to improve the specifications, design and production of its products and alterations take place continually. Whilst every effort is made to produce up to date literature this brochure should not be regarded as an infallible guide to current specifications. Refer to our price list for our terms and conditions of sale. E & OE.

IP INDUSTRIAL ASSOCIATE
WRAS APPROVED PRODUCT