



2125G (GA shown)
 1/2" basin taps with 5" nose
 for use with inset basins.

Finish	Pair (Ex VAT)
Chrome/Nickel	£263.00
Inca	£319.00

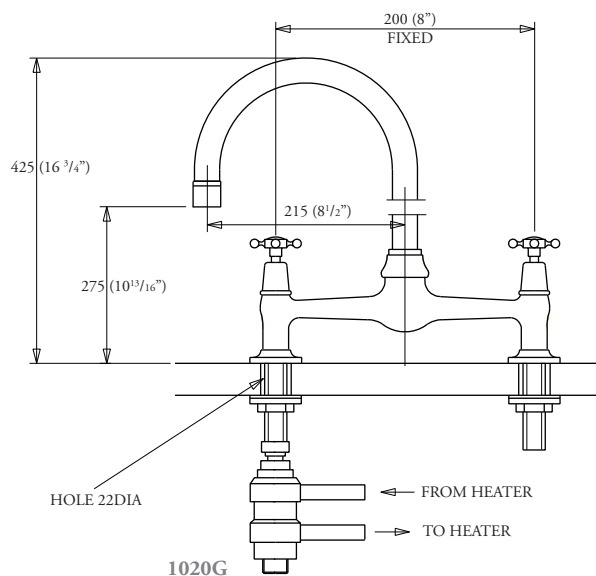
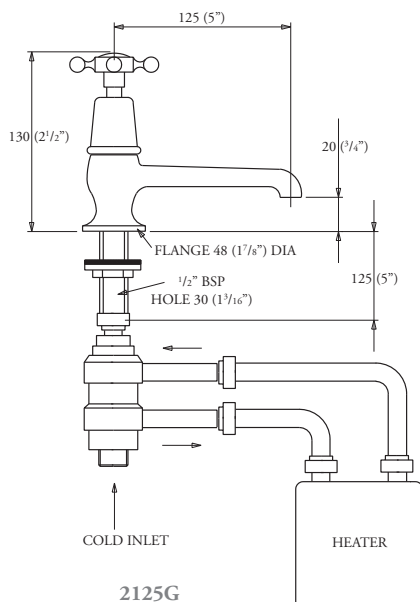


1020G RFC shown
 Also available GA R GCD RCD
 Mixer for fitting into work surface
 at a fixed centres of 203mm.

Finish	Each (Ex VAT)
GA R GCD RCD	
Chrome/Nickel	£319.00
Inca	£399.00
RFC HFC HEC	
Chrome/Nickel	£390.00
Inca	£472.00



4



Q2 - 2124G

Basin pillar tap.

Finish **Pair** (Ex VAT)
 Chrome/Nickel £340.00

Q2-6450G 115mm nozzle

3 Hole basin mixer with
 pop-up-waste.

Q2-6455G 140mm nozzle

3 Hole basin mixer with
 pop-up-waste.

Finish **Set** (Ex VAT)
 Chrome/Nickel £375.00

Also available

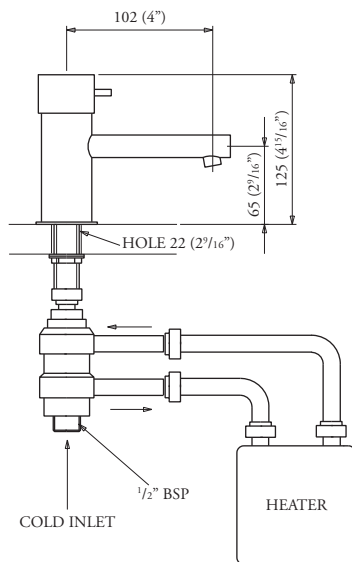
Q2-6451G 115mm nozzle

3 Hole basin mixer without
 pop-up-waste.

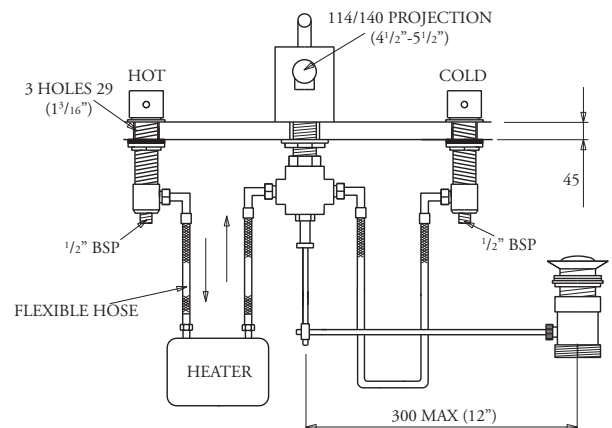
Q2-6456G 140mm nozzle

3 Hole basin mixer without
 pop-up-waste.

Finish **Set** (Ex VAT)
 Chrome/Nickel £375.00



Q 2124G



Q6450/5G