



**6450G GA shown**  
**Also available R RCD GCD**  
 3-hole basin mixer with pop-up waste, 115mm nozzle.

**6455G**  
 As above but with 140mm nozzle.

**6453/8G GA shown**  
**Also available R GCD RCD**  
 1/2" pillar sink mixer with swivel nozzle.  
 NB. Mixers have single flow nozzles fitted with an aerator. Single check valves are incorporated in the hot and cold inlets to comply with water byelaw 25.IRN 101 (see page 7 for dimension drawing).

Finish	Each (Ex VAT)
Chrome/Nickel	£398.00
Inca	£434.00

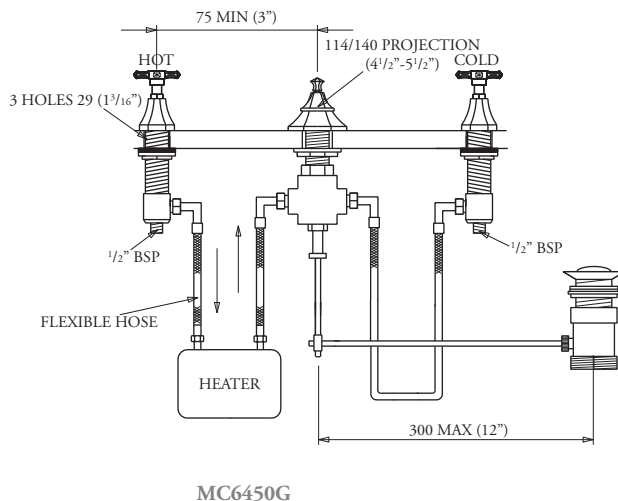
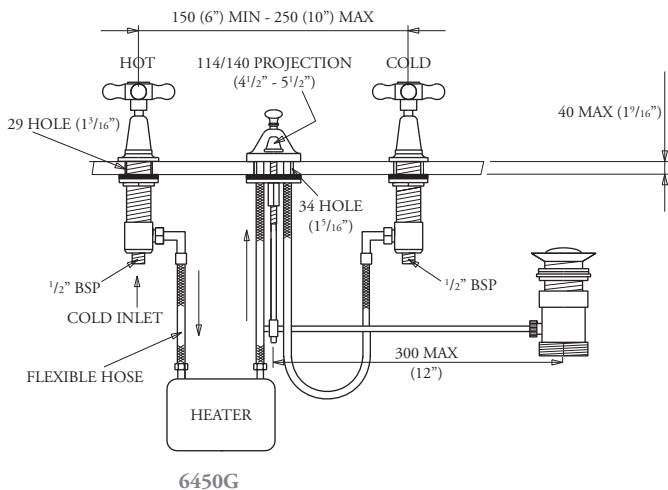
**MC6450G**  
 3-hole basin mixer with pop-up waste 112mm nozzle.

**MC6455G**  
 As above but with 140mm nozzle.

Finish	Each (Ex VAT)
Chrome/Nickel	£450.00
Inca	£494.00

**MC6454G**  
 Wall mounted basin mixer.

Finish	Each (Ex VAT)
Chrome/Nickel	£400.00
Inca	£438.00



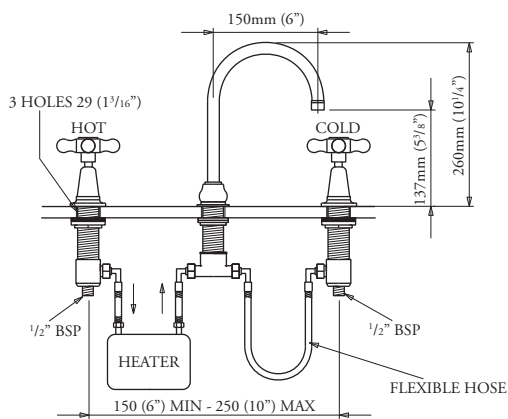
HFC 103G - 3" Lever  
 HEC 103G - 6" Lever  
 Basin Pillar Taps 1/2" Inlet

**Finish**            **Pair (Ex VAT)**  
 Chrome/Nickel    £234.00

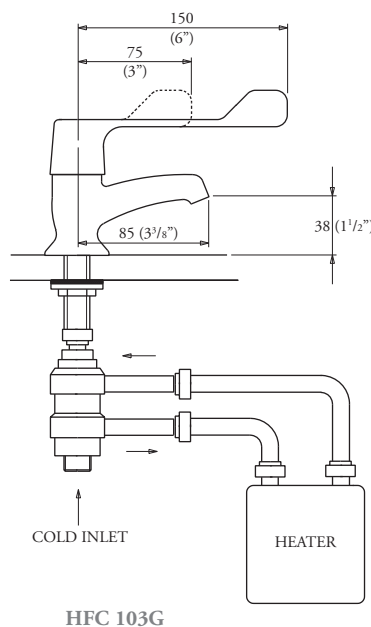


HFC 106G - 3" Lever  
 HEC 106G - 6" Lever  
 Sink Pillar Taps 1/2" Inlet

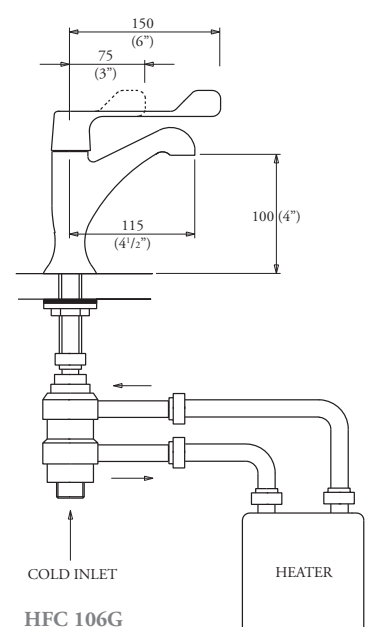
**Finish**            **Pair (Ex VAT)**  
 Chrome/Nickel    £241.00



6453G (previous page)



HFC 103G



HFC 106G